

Blinds Controller YH003

Remote Version

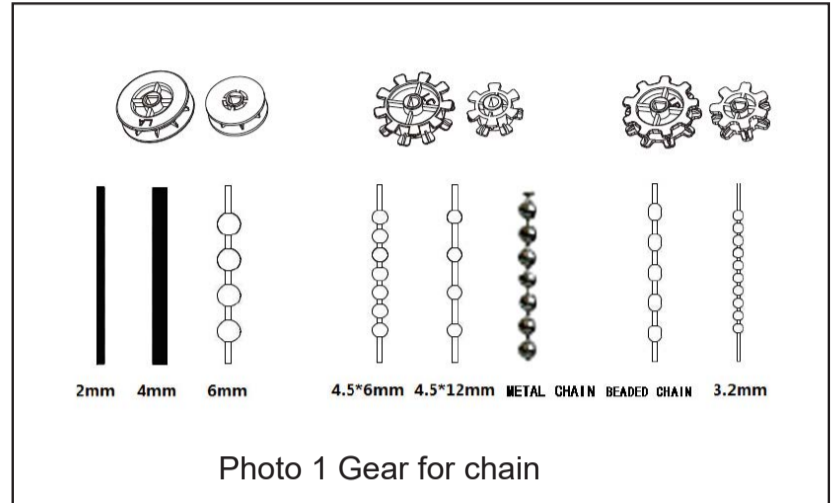
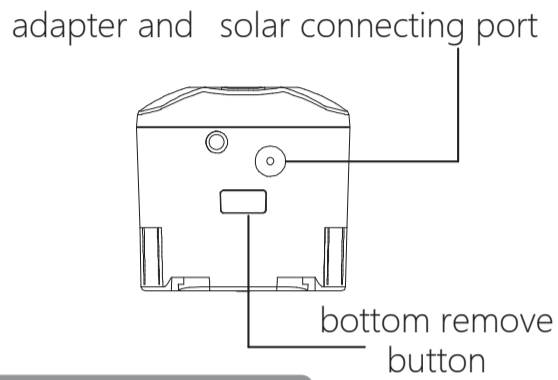
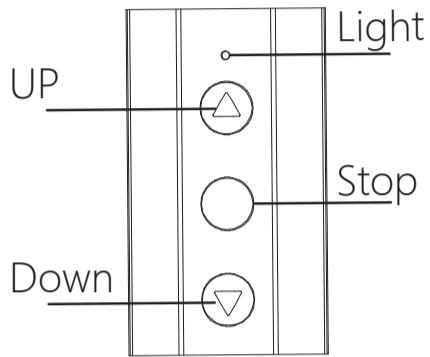


L*W*H 153mm*45mm*35mm

Feature:

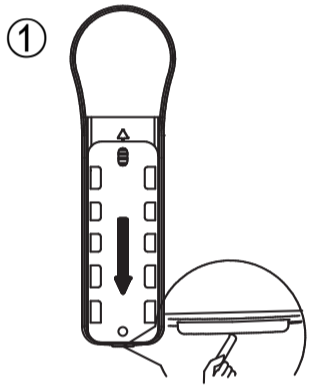
- ① No change of existing blinds, no tubular motor. One touch, manual to motor;
- ② Long battery lasting time , can use with solar panel ;
- ③ Easy mounting and setting: 3 - 5 minutes DIY on your fingertip position;
- ④ Motorized manual blinds with gateway, up and close on schedule automatically.

1 Illustration

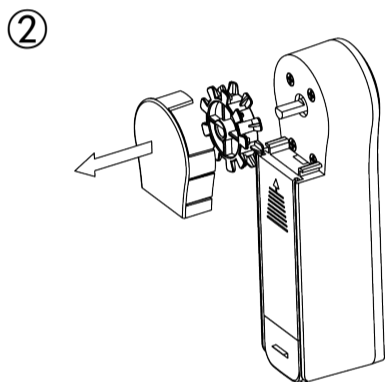


2 Take Power

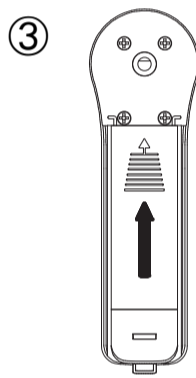
- A. Connector boost line or 12.6V,1A adapter for power
- B. Battery for power



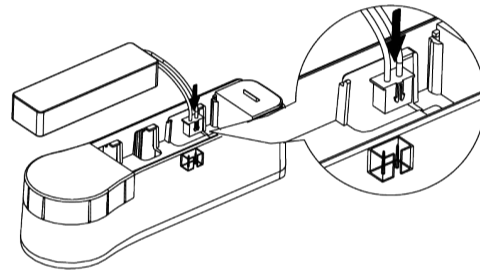
Press and hold protrusion on bottom, remove install plate



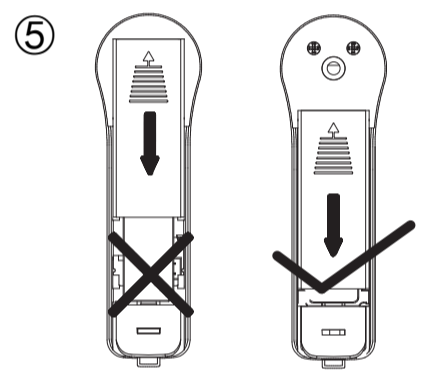
Vertically remove cover and gear



Slide out battery cover



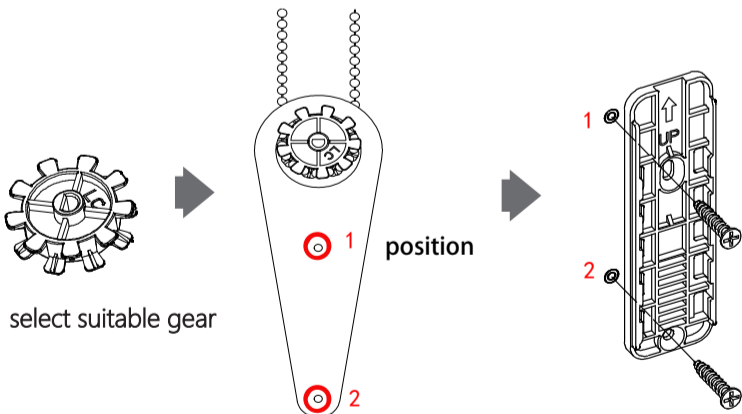
Insert plug, install battery



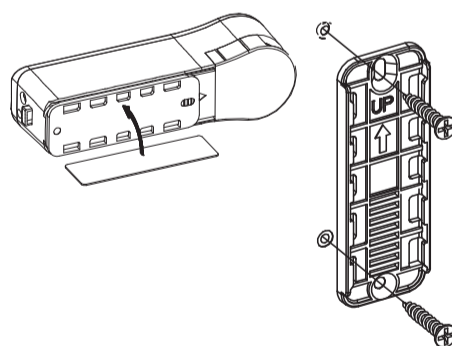
Close battery cover (close cover then push in)

3 Installation

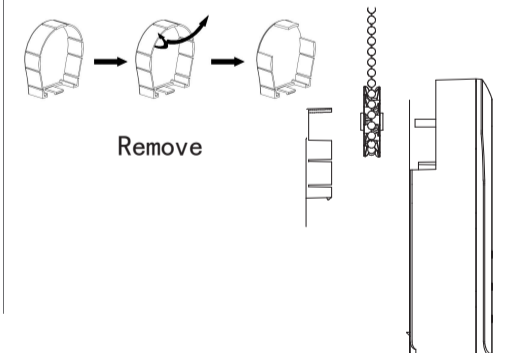
- 1 Position :**
- 1) Pull down blinds to the bottom of chain;
 - 2) Select suitable gear , gear on installation card , hang on the end of chain ,mark position.
- Notice: card on the outside of the blinds.**



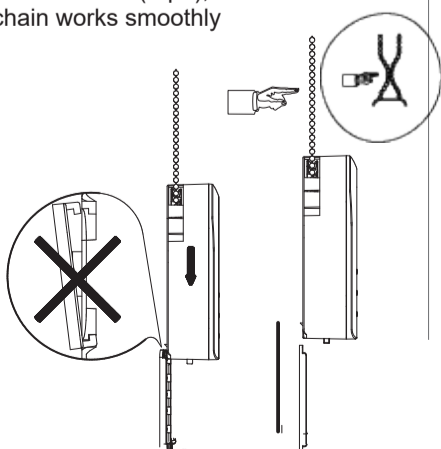
- 2 Installat options:**
- 1) 3M adhesive
 - 2) Screw fixing: Cylindrical hole up



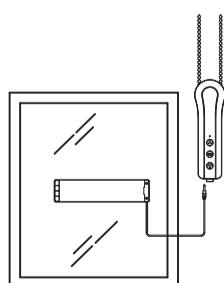
- 3 Remove the teeth where from the cord or chains come out on cover plate, then lock the cover up**



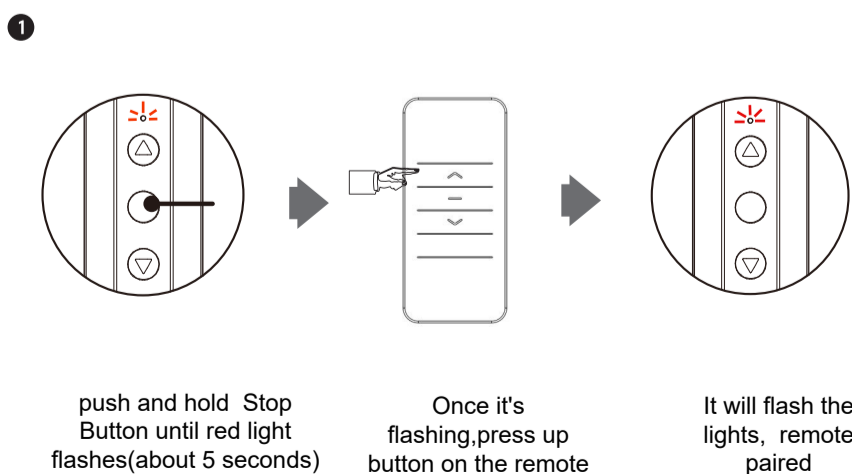
- 4 Insert device along the groove, adjust tightness of the chain(rope), ensure chain works smoothly**



- 5 Connector solar panel as require**

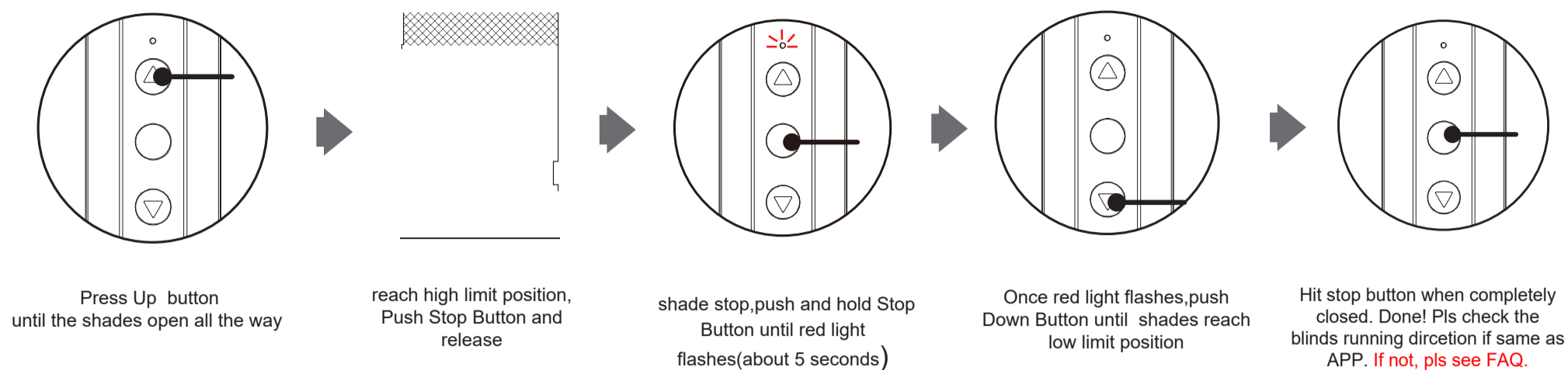


4 Pair with remote



Note: 1) Pls be sure use the suitable gear for the chain(photo 1), and adjust the tension, otherwise will noisy

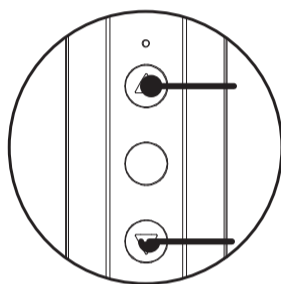
5 Set Limits on the Device



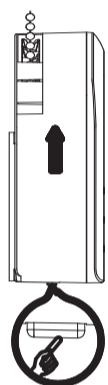
Note: If trip change for some urgent, pls reset.

6 Reset And Remove Device

Push UP & Down Arrow about 12 seconds, until the light flashes from red - blue - green 2 - 3 times, release, press stop button, reset device finish



Top up the projection on bottom, slide upon groove, open up back board and take out chain



Remove button

Parameters

Name	Blinds Controller	Model	YH003	Control Method	Remote
Torque	1.35N.m	Speed	50~55 rpm	Frequency	2.4GHz 433.92MHz
Max Blinds Size	8ft(2.5m)*12ft(3.5m)	Max Weight	10KG	Battery (optional)	7.4V/1600mAH
Adapter	12V/12.6V 1-2A	Boost Line	suitable USB plug(5V,1-3A)		
Compatible	Via gateway, connector with Google assistant, Alexa ,Siri etc				

7 FAQ:

- 7.4V Lithium battery can purchase on local. Battery size: L*W*H < 80MM*25MM*11.5MM (3.14*0.98*0.45 in) with XH2.54 - 2P reverse plug.
- If running direction opposite with curtain, pls following below, and reset limit again.
A: Press and hold "up" button 7 seconds until light continuously shine in blue
- Total 6 gear for device, recommend small gear for heavy blinds (than 6kgs). Pls note:
1) Different gear for different chain, same shape gear for big and small according to same chain;
2) The height for small and big gear is differ, pls note when installation.
- Solar panel only works when battery built in
- Via Gateway, control blinds on schedule with mobile, voice control, work with Google assistant and Alexa Amazon etc.
- Battery Description:
A: product without built-in battery: the adapter and the booster line can be used as power source, but when use booster line, motor runs slower. Booster line is only suitable for curtains weighing up to 1.5kg
B: product with built-in battery: the charger and the booster line used as charging power supply when the battery is dead. To reduce battery loss, it is not recommended to plug them all the time.



NINGBO YIHAO BLINDS CO.,LTD

Address : No.237-3 Jiushufang Road Luotuo Industrail Zone Ningbo China 315202
Web: [Http://www.yhblinds.com](http://www.yhblinds.com) E-mail: info@yhblinds.com Phone: 0086 - 574 - 87905396

