

# Blinds Controller YH004

## Zigbee Version

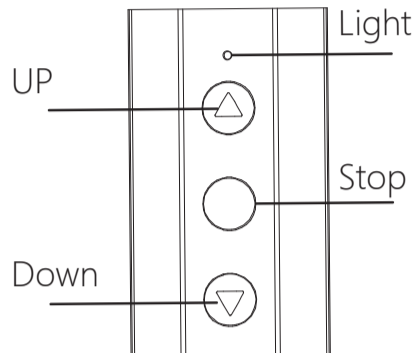


L\*W\*H 153mm\*45mm\*35mm

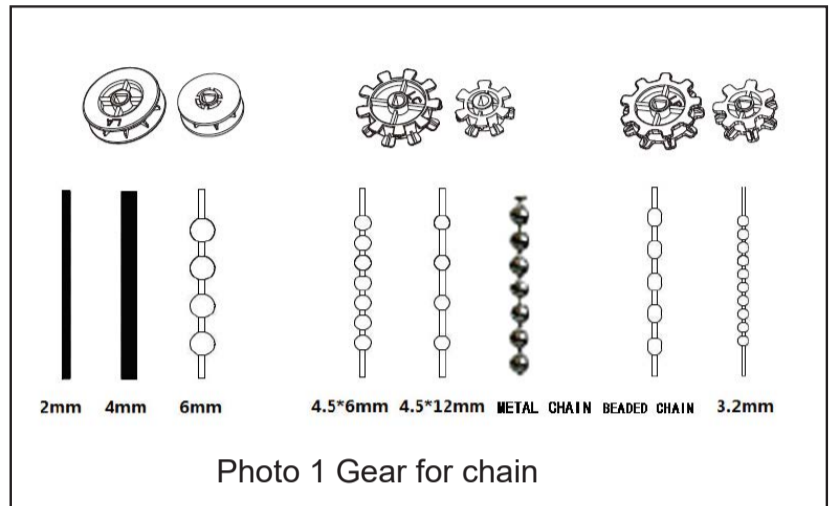
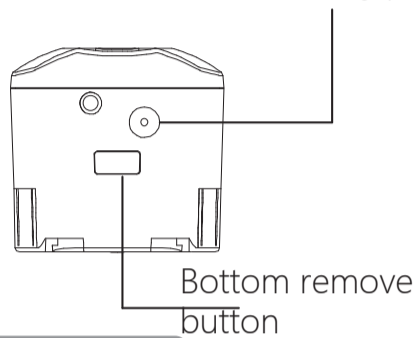
### Feature:

- ① No change of existing blinds, no tubular motor. One touch, manual to motor;
- ② WIFI connector: work with google home, Alexa amazon etc directly;
- ③ Long battery lasting time, can use with solar panel;
- ④ Schedule: Setting open or close time as your like, open when sun rise, and close when sunset;
- ⑤ Long distance: open or close your home blinds on office or business with Wifi on;
- ⑥ Easy mounting and setting: 3 - 5 minutes DIY on your fingertip position;

## 1 Illustration

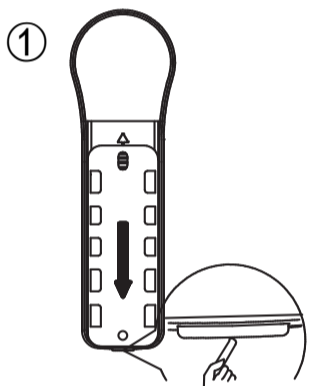


Adapter and Solar connecting port

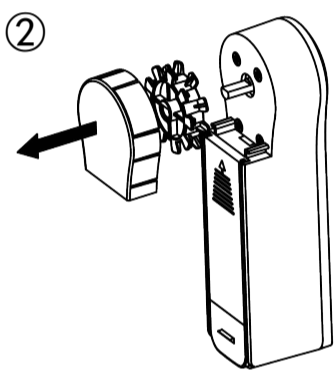


## 2 Take Power

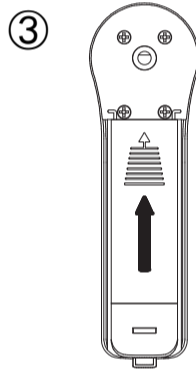
- A. Connector USB line or 12V adapter for power
- B. Battery for power



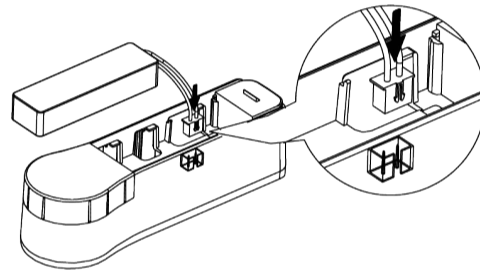
Press and hold bottom remove button on bottom, remove install plate



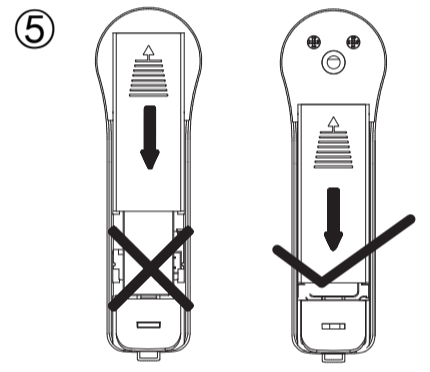
Vertically remove cover and gear



Slide out battery cover



Insert plug, install battery

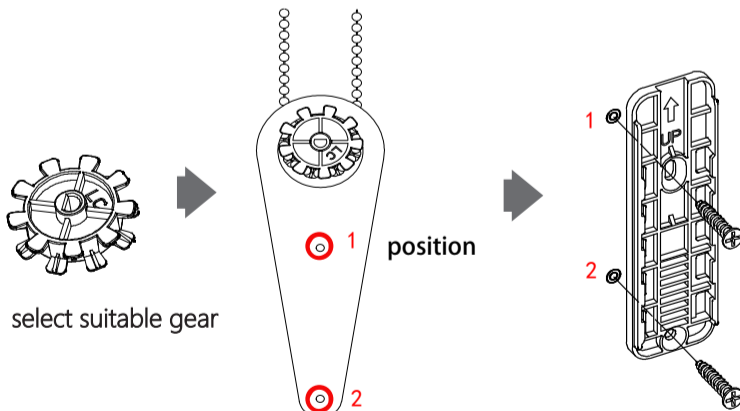


Close battery cover (close cover then push in)

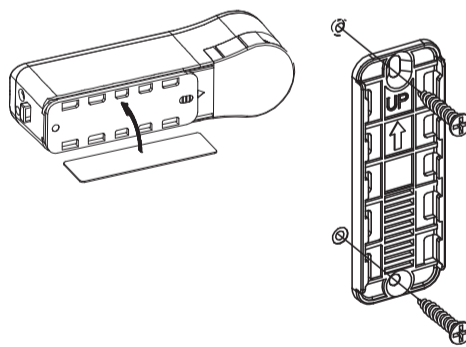
## 3 Installation

- ① Position :
  - 1) Pull down blinds to the bottom of chain;
  - 2) Select suitable gear , gear on installation card , hang on the end of chain ,mark position.

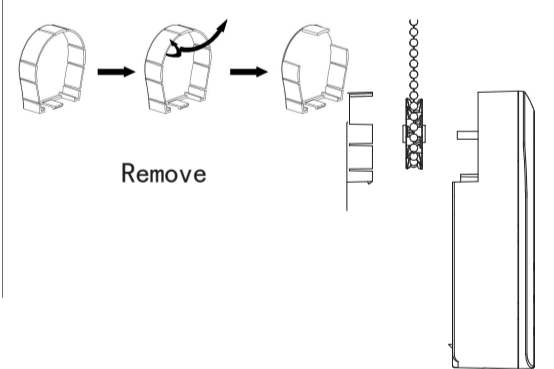
**Notice: card on the outside of the blinds.**



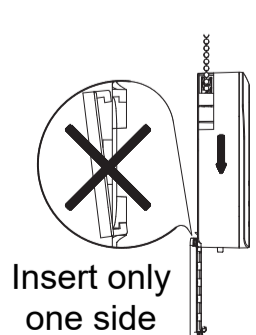
- ② Installat options:
  - 1) 3M adhesive
  - 2) Screw fixing: Cylindrical hole up



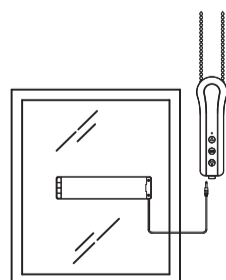
- ③ Remove the teeth where from the cord or chains come out on cover plate, then lock the cover up



- ④ Insert device along the groove, adjust tightness of the chain(rope), ensure chain works smoothly



- ⑤ Connector solar panel as require



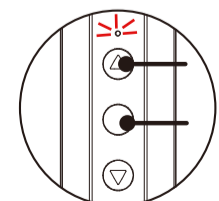
## 4 Mobile Connctor



Tuya Zigbee--add device



Confirm the indicator is blinking rapidly



Press and hold up an stop button 6 seconds until red light flash

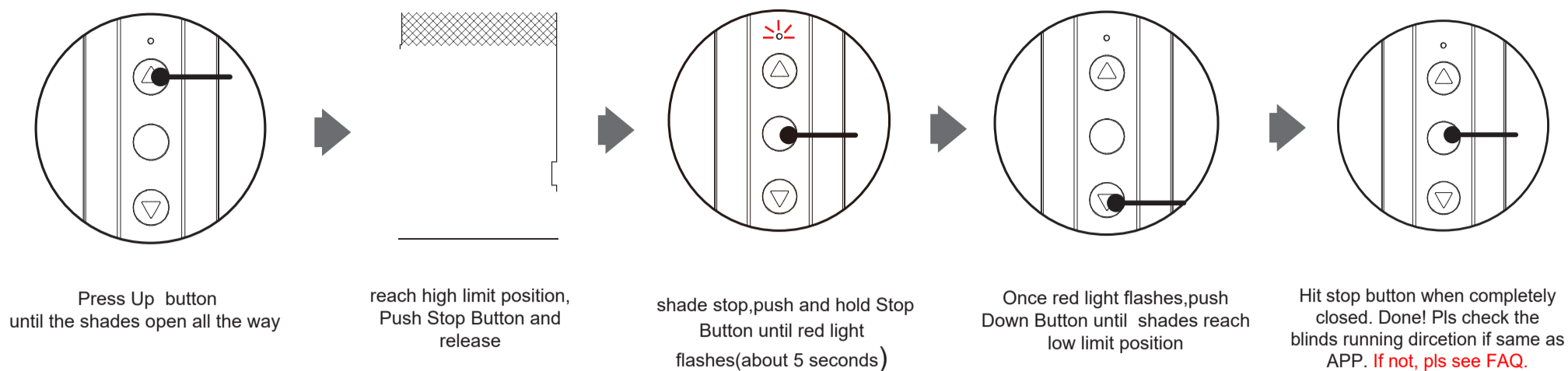


Success

**Note: without limitation setting successfully in step 5, there will be no response after the mobile phone connect Internet.**

**Note:** 1) Pls be sure use the suitable gear for the chain(photo 1), and adjust the tension, otherwise will noisy

## 5 Set Limits on the Device



**Note:** If trip change for some urgent, pls reset.

## 6 Function Setting

- Schedule:** Can setting time as you like, Open when sunrise and close when sunset

### Step 2:

Device added successfully → More → Schedule

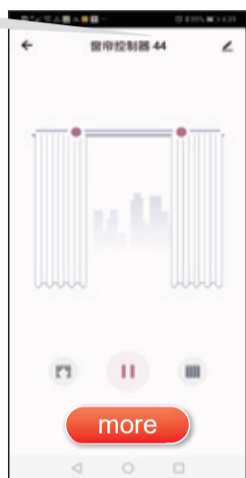
- Voice control**

Smart life → Welcome home → upper right corner

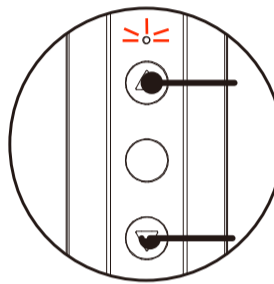
- Connector with google Alexa etc**

Tuya → Welcome home → me → more service  
→ Alexa, google Assistant, Yandex etc.

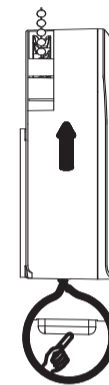
- Device pair not only with mobile, but also remote**



Push UP & Down Arrow about 12 seconds, until the light flashes from red - blue - green 2 - 3 times, release, press stop button, reset device finish



Top up the bottom remove out on bottom, slide upon groove, take device out



Remove button

## Parameters

<b>Name</b>	Blinds Controller	<b>Model</b>	YH004	<b>Control Method</b>	ZigBee or Remote
<b>Torque</b>	1.35N.m	<b>Speed</b>	55rpm	<b>Frequency</b>	2.4GHz 433.92MHz
<b>Max Blinds Size</b>	8ft(2.5m)*12ft(3.5m)	<b>Max Weight</b>	10KG	<b>Battery (optional)</b>	7.4V/1600mAH
<b>Compatible</b>	Directly connector with google assistant, alexa ,siri etc				
<b>Adapter</b>	12V/12.6V 1-2A	<b>Boost Line</b>	suitable USB plug(5V,1-3A)		

## 8 FAQ:

- 7.4V Lithium battery can purchase on local. Battery size: L\*W\*H < 80MM\*25MM\*11.5MM (3.14\*0.98\*0.45 in) with XH2.54 - 2P reverse plug.
- If running direction on APP opposite with curtain, pls following below, and reset limit again.  
A: Press and hold "up" button 7 seconds until light continuously shine in blue  
B: Open APP "opposite"
- Total 6 gear for device, recommend small gear for heavy blinds (than 6kgs). Pls note:
  - Different gear for different chain, same shape gear for big and small according to same chain;
  - The height for small and big gear is differ, pls note when installation.
- Solar panel only works when battery built in
- Battery Description:**  
A: product without built-in battery: the adapter and the booster line can be used as power source, but when use booster line, motor runs slower. Booster line is only suitable for curtains weighing up to 1.5kg  
B: product with built-in battery: the charger and the booster line used as charging power supply when the battery is dead. To reduce battery loss, it is not recommended to plug them all the time.



## NINGBO YIHAO BLINDS CO.,LTD

Address : No.237-3 Jiushufang Road Luotuo Industrail Zone Ningbo China 315202  
Web: [Http://www.yhblinds.com](http://www.yhblinds.com) E-mail: [info@yhblinds.com](mailto:info@yhblinds.com) Phone: 0086 - 574 - 87905396

